

ekey finger scanner arte
with operation via app

ekey finger scanner arte

Open the door with your finger or app.

The *ekey finger scanner arte* model is the flagship product in terms of design in a small format. Many well-known manufacturers in the door industry, and especially push handle manufacturers, are already integrating the smallest ekey fingerprint access solution at the factory.

With its elegant stainless-steel finger swipe area, *ekey finger scanner arte* has been specially designed for flush installation in both high-quality doors and designer handles. Thanks to its slim and compact design, the finger scanner can even be integrated discreetly into unusual door designs and is suitable for both internal and external doors.

Now ekey biometric systems has succeeded in taking another technological step towards a digital future:

NEW: ekey finger scanner arte is now available with administration via App.

With the new *ekey control panel micro plus*, the *ekey finger scanner arte* can now be controlled by app. You can therefore open the door with your smartphone and enjoy all the benefits of operation via app which were previously reserved for the *ekey finger scanner integra*.

Thanks to this development, door and push handle manufacturers in particular have an operating concept which works with any model and is characterized by its user-friendly control: the *ekey home app*

The intuitive menu navigation by smartphone enables the dealer, installer or end user to carry out commissioning quickly. All the important configuration settings, such as creating, managing, and deleting users, assigning authorizations for defined access, changing relay times, and much more can be carried out at any time by the owner (as the administrator).

SHORT FACTS:

- Smallest fingerprint access solution (25.1 x 52.1 x 12.1 mm)
- Specially designed for flush installation
- Simple design which can be integrated discreetly into high-quality doors and push handles
- Operating concept which works with any model (*ekey home app*)
- Simple commissioning thanks to intuitive menu navigation
- First finger scanner that is suitable for apps for push handle manufacturers
- Clear competitive advantage through technological progress
- Top-quality products MADE IN AUSTRIA by Europe's top provider of fingerprint access solutions



Good reasons for ekey finger scanners



UNIQUE COMFORT

You can't lock yourself out: your finger is always at hand!



HIGHEST SECURITY

- No lost or stolen keys!
- Maximum protection against fake fingers thanks to liveness detection with RF sensor technology!
- Access rights (e. g. card or key) cannot be transferred!
- 1,000 times more secure than a 4-digit code!



USER-FRIENDLY

Easy installation and administration!



INTELLIGENT SOFTWARE

The ekey software is learning all the time – it can detect the growth of children's fingers as well as minor injuries and changes to users' habits.



KNOW WHO IS COMING HOME

By using the ekey fingerprint access control system, building control systems can now detect which person triggers an action.



5-YEAR QUALITY GUARANTEE

for all ekey products!



Simple, secure, convenient.

ACCESS

- Open doors via app (smartphone/tablet device)
- Assign access authorization with a user code
- Provide temporary access (while on vacation, for example)

USER ADMINISTRATION

- Easy to create, manage, and delete users
- Enable or disable users at the touch of a button
- Assign authorization for defined access
- Finger enrollment is controlled via the app
- Easy administration of up to 99 fingerprints

SECURITY

- Administrator and user level
- 4 to 6-digit app security code
- Enhanced security thanks to 6-digit coupling code
- Administrator is able to change and administer security codes
- Deactivate the finger scanner's Bluetooth function

USEFUL TOOLS

- Adjustable LED brightness on the finger scanner
- Relay switching times can be set individually
- Reset the system to default settings

The *ekey home app* is only compatible with the *ekey home – single-point access solutions system!*

FREE for ANDROID and iOS >>>

Available languages:
DE | EN | IT | FR | ES | CS | PL | RU

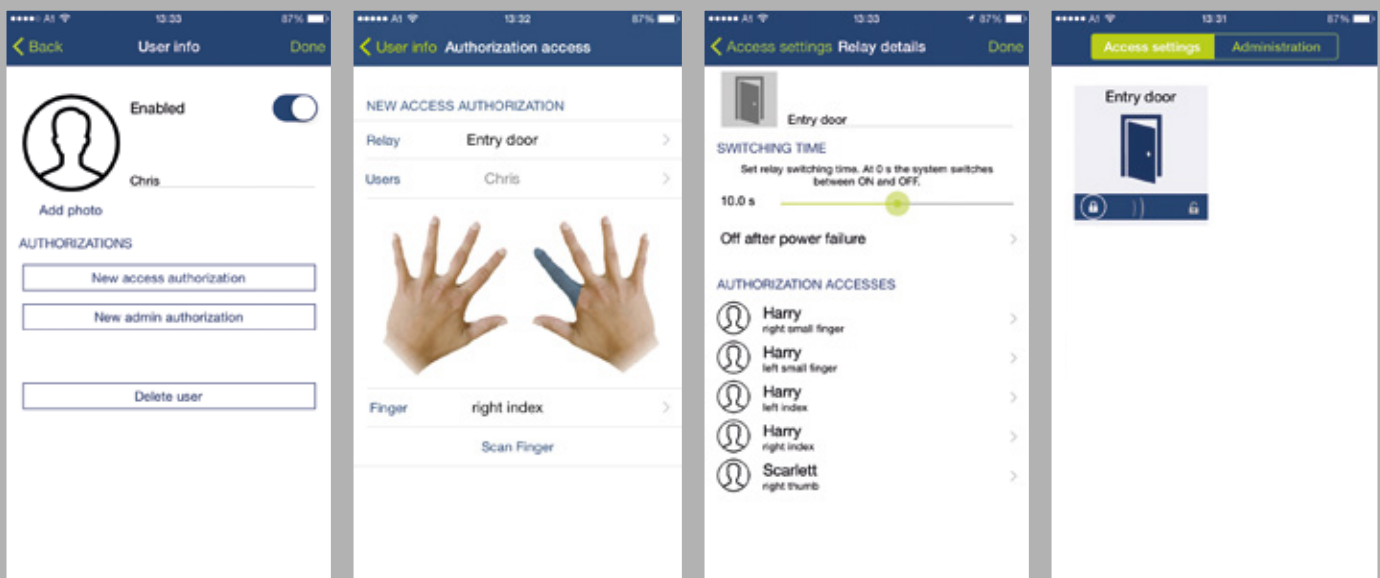


Google Play Store



App Store

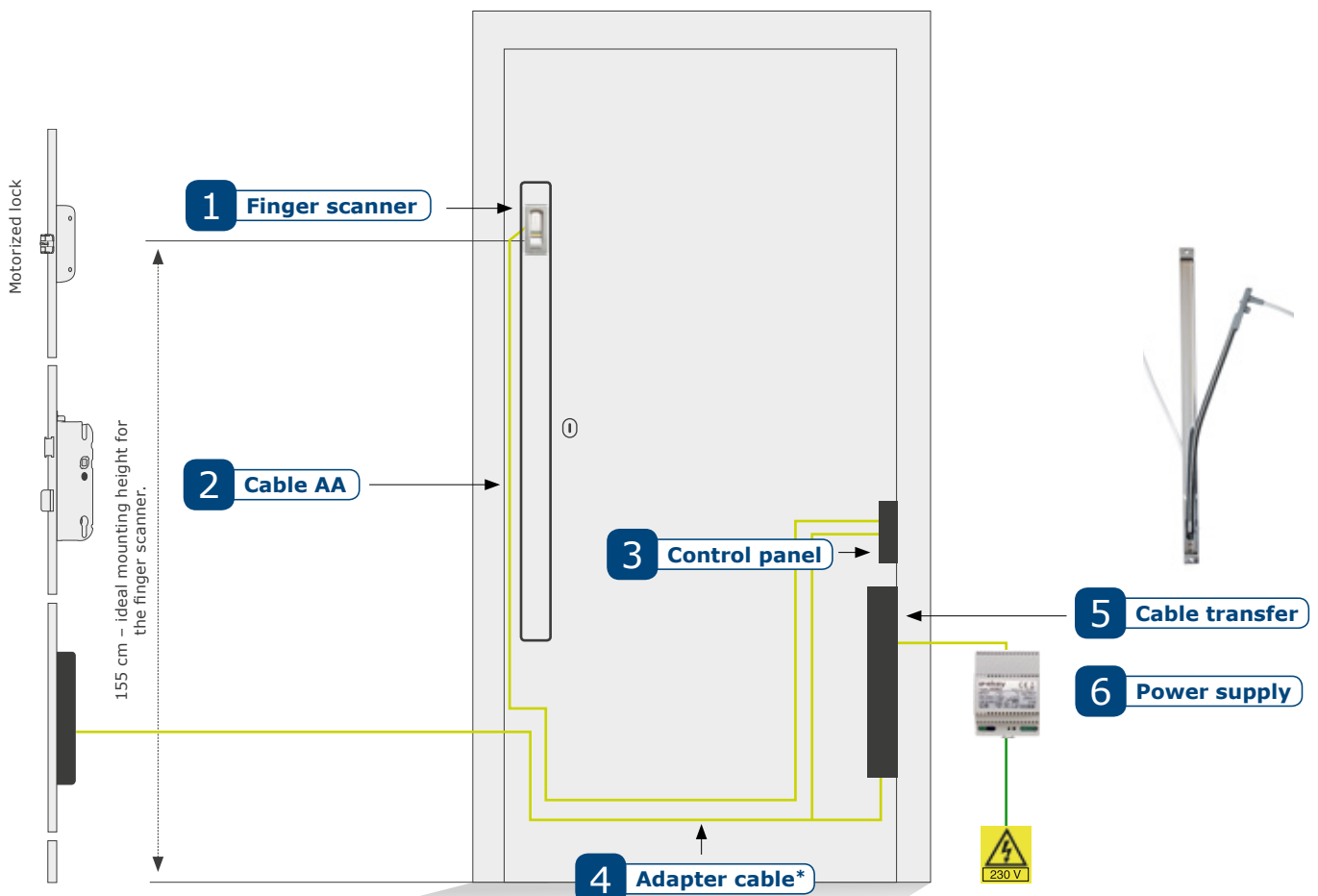
ekey home app – fool-proof menu navigation:



ekey arte

ekey finger scanner arte

with ekey control panel **micro plus**.



1 Finger scanner



Part no.	Description
101 592	ekey FS AR ST V SV , stainless steel, vertically grinded screw variant
101 627	ekey FS AR ST V GV , stainless steel, vertically grinded glue variant

- FAR: 1:10,000,000/FRR: 1:100
- Dimensions W x H x D: 25.1 x 52.1 x 9.4 (17.2 mm mounting box)
- Power consumption: approx. 1 W
- Supply voltage: 5 V
- IP Code: IP54
- Minimum mounting height: 155 cm
- Finger scanner functions: 99 fingers can be stored, tamper protection, data is retained in the event of a power failure
- Temperature range: -25 °C to 70 °C

2 Cable AA

Cable AA connects finger scanner and control panel



Part no.	Description	
101 601	ekey cable AA , 0.5 m, 5 x 0.14, SH/CP35	5-core, 0.5 m length
101 597	ekey cable AA , 1.5 m, 5 x 0.14, SH/CP35	5-core, 1.5 m length
101 594	ekey cable AA , 2.0 m, 5 x 0.14, SH/CP35	5-core, 2.0 m length
101 595	ekey cable AA , 2.5 m, 5 x 0.14, SH/CP35	5-core, 2.5 m length
101 563	ekey cable AA , 3.0 m, 5 x 0.14, SH/CP35	5-core, 3.0 m length
101 596	ekey cable AA , 3.5 m, 5 x 0.14, SH/CP35	5-core, 3.5 m length
101 569	ekey cable AA , 4.0 m, 5 x 0.14, SH/CP35	5-core, 4.0 m length

Cable AA, separable, connects finger scanner and control panel for easy mounting in door pulls



Part no.	Description		Part no.	Description
101 616	ekey cable AA , 0.5 m, 4 x 0.25, M5/SH	+	101 628	ekey cable AA , 2.0 m, 4 x 0.25, M5/CP
101 666	ekey cable AA , 0.8 m, 4 x 0.25, M5/SH		101 617	ekey cable AA , 2.5 m, 4 x 0.25, M5/CP
101 659	ekey cable AA , 2.0 m, 4 x 0.25, M5/SH		101 624	ekey cable AA , 3.0 m, 4 x 0.25, M5/CP
			101 625	ekey cable AA , 3.5 m, 4 x 0.25, M5/CP

! The maximum cable length must not exceed 5 metres. You will need a cable from both columns for a complete cable AA. The cable sheath outer diameter is 3.1mm, the M5 plug diameter is 6.5mm.



3

Control panel



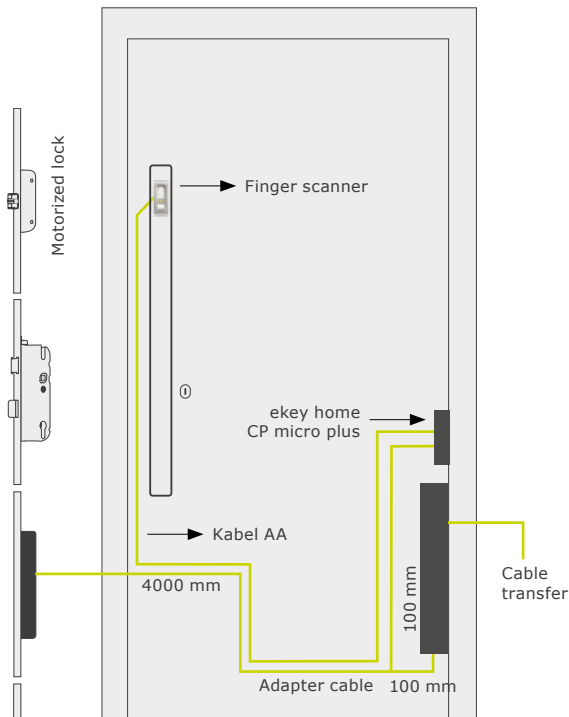
Part no.	Description	
101 837	ekey home CP micro plus 1, 1 relay	
	<ul style="list-style-type: none"> • Dimensions W x H x D: 18 x 120 x 26 mm (without faceplate) • Power consumption: approx. 1 W • Supply voltage: 12-24 VDC • Temperature range: -20 °C to 70 °C • IP Code: IP30 • Relay: 1 output (NO) • RS-485 termination: fixed • Reset button on the control panel • Plug-in connections (CP35) 	<ul style="list-style-type: none"> • Max. relay voltage, relay current: 42 VAC/DC; 2A • One digital input for request-to-exit button (can also be used for resetting to default settings) • Operation only with finger scanner arte • Operation: via app (or administrator finger) • Tamper-proof due to encrypted communication between ekey home finger scanner arte and ekey home control panel micro plus.
	ekey mounting plate CP micro plus Round faceplate	ekey mounting plate CP micro plus Square-cut faceplate
101 881	ekey mounting plate CP micro plus, r20 mm	101 883 ekey mounting plate CP micro plus, s20 mm
101 882	ekey mounting plate CP micro plus, r24 mm	101 884 ekey mounting plate CP micro plus, s24 mm
	<ul style="list-style-type: none"> • Required mounting plate for CP micro plus in door leaf 	<ul style="list-style-type: none"> • Dimensions W x H x D: 20 (24) x 200 x 2,7mm • ABS plastic, grained on one side, black



4

Adapter cable

Motorized locks from most manufacturers can be connected to the ekey control panel micro plus and the ekey cable transfer quickly and easily with the following adapter cables.



Part no.	Description
101 868	ekey adapter micro plus KFV A CTS
	<ul style="list-style-type: none"> • 8-core, length: 4100 mm • for motorized lock KFV Genius A
101 869	ekey adapter micro plus KFV B CTS
	<ul style="list-style-type: none"> • 8-core, length: 4100 mm • for motorized lock KFV Genius B
101 870	ekey adapter micro plus FUHR CTS
	<ul style="list-style-type: none"> • 8-core, length: 4100 mm • for motorized lock Fuhr Multitronic/Autotronic
101 871	ekey adapter micro plus ROTO CTS
	<ul style="list-style-type: none"> • 8-core, length: 4100 mm • for motorized lock Roto Eneo A
101 872	ekey adapter micro plus GU CTS
	<ul style="list-style-type: none"> • 8-core, length: 4100 mm • for motorized lock GU Security Automatic
101 873	ekey adapter micro plus WHS_BMA CTS
	<ul style="list-style-type: none"> • 8-core, length: 4100 mm • for motorized lock Winkhaus blueMatic EAV
101 874	ekey Adapter micro plus MACO KÜS
	<ul style="list-style-type: none"> • 8-core, length: 4100 mm • for motorized lock MACO Z-TA COMFORT

5 Cable transfer

8-core cable transfer



Part no.	Description
100 880	ekey CTL 48/8; cable transfer housing on the leaf side <ul style="list-style-type: none"> Housing dimensions H x W x D: 478 x 24 x 17.5 mm Housing installation in the door leaf Door opening up to approx. 180° Cable length on the frame side: 2.5 m
101 750	ekey CTL 48/8; cable transfer housing on the leaf side <ul style="list-style-type: none"> Housing dimensions H x W x D: 478 x 24 x 17.5 mm Housing installation in the door leaf Door opening up to approx. 180° Cable length on the frame side: 4 m
101 475	ekey CTL 48/8; cable transfer housing on the leaf side <ul style="list-style-type: none"> Housing dimensions H x W x D: 478 x 24 x 17.5 mm Housing installation in the door leaf Door opening up to approx. 180° Cable length on the frame side: 10 m
100 883	ekey CTL o.k./8; cable transfer without housing <ul style="list-style-type: none"> Installation in the door frame Door opening up to approx. 180° Cable length on the frame side: 2.5 m
100 885	ekey CTL 30/8; cable transfer housing on the leaf side <ul style="list-style-type: none"> Housing dimensions H x W x D: 300 x 24 x 17.5 mm Housing installation in the door leaf Door opening up to approx. 100° Cable length on the frame side: 2.5 m Cable: Li9Y11Y, 8 x 0.34 mm² Cable length on the leaf side: 0.8 m, with CP35/8 connector at the end for connecting to the control panel
100 890	ekey CT built-in fitting set timber <ul style="list-style-type: none"> Rounded ends for installation with router



6-core cable transfer



Part no.	Description
101 910	ekey CTL 18/6; cable transfer with housing on the leaf side <ul style="list-style-type: none"> Housing dimensions W x H x D: 180 x 20 x 26.5 mm Housing installation in the door leaf Cable: LiF9Y11Y, 6 x 0.34 mm² Cable length on the frame side: 2.0 m Door opening up to approx. 180° Cable length on the leaf side: 1.0 m, with CP35/8 pin at the end for connecting to the control panel
101 561	ekey CT w/o h./6; cable transfer without housing <ul style="list-style-type: none"> Cable: LiF9Y11Y, 6 x 0.34 mm² Cable length on the frame side: 2.0 m Door opening up to approx. 180° Cable length on the leaf side: 1.0 m, with CP35/8 pin at the end for connecting to the control panel
101 586	Mounting plate r ekey CT w/o h./6, round-cut faceplate, for timber door
101 587	Mounting plate e ekey CT w/o h./6, square-cut faceplate, for plastic or aluminum door <ul style="list-style-type: none"> Dimensions W x H x D: 16 x 126 x 3 mm optional mounting plate for 6-pin cable transfer

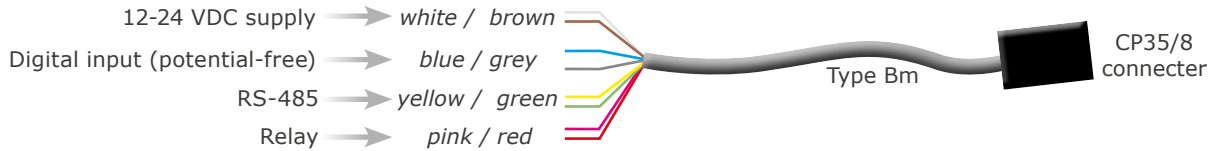


Cable Bm+

Only required when not using a lock adapter cable.



Part no.	Description
101 879	ekey cable Bm+ 0.3 m 8 x 0.34 CP / AEH
101 880	ekey cable Bm+ 3.5 m 8 x 0.34 CP / AEH



Cable Bm+



Part no.	Description
101 878	ekey adapter micro plus WHS_BMO 0.3m
For ekey control panel micro plus and Winkhaus blueMotion lock	

! Notice: You can find wiring diagrams on our website at www.ekey.net/en/media_center

6

Power supply

Power supply or uninterruptible power supply



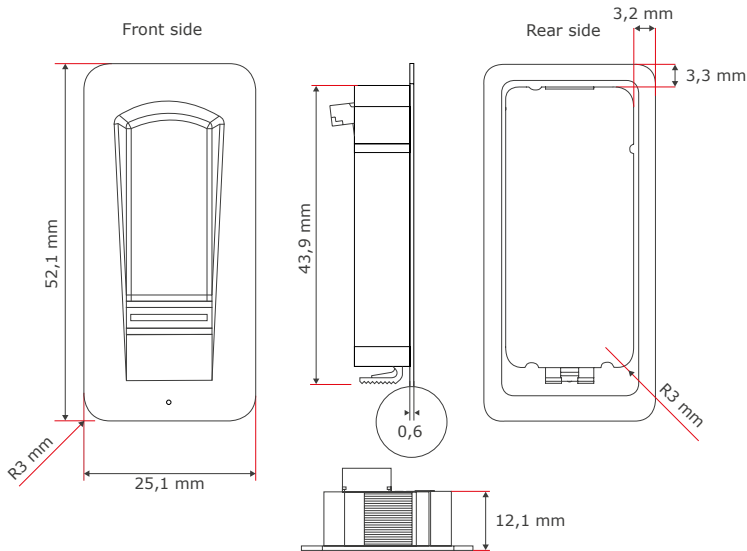
Part no.	Description	
100 205	ekey PS DRM 230 VAC/12 VDC/2 A; DIN-rail mounted	
100 891	ekey PS DRM 230 VAC/24 VDC/2 A; DIN-rail mounted	<p>! Important: Select the power supply based on the properties of the motorized lock.</p>
100 204	ekey PS OM 230 VAC/12 VDC/2 A; outlet-mounted	
101 742	ekey PS OM 230 VAC/24 VDC/1.1 A; outlet-mounted	
101 559	ekey UPS DRM 230 VAC/12 VDC/4 Ah; DIN-rail mounted	
	<ul style="list-style-type: none"> Dimensions W x H x D: UPS: 140 x 93 x 66.5 mm (8 HP) Battery: 157 x 93 x 66.5 mm (9 HP) Supply voltage: 100-240 VAC 2 parts: UPS (switched-mode power supply) and battery Output voltage, output current: 12 VDC; 2 A 	
101 593	ekey UPS DRM 230 VAC/24 VDC/4 Ah; DIN-rail mounted	
	<ul style="list-style-type: none"> Dimensions W x H x D: UPS: 210 x 93 x 66.5 mm (12 TE) Battery: 157 x 93 x 66.5 mm (9 HP) Supply voltage: 100-240 VAC 3 parts: UPS (switched-mode power supply) and 2 batteries Output voltage, output current: 24 VDC; 3 A 	<ul style="list-style-type: none"> Temperature range: -10°C to 40°C Function display: LED Advantage: Replaces power supply; ensures a reliable power supply to the system for several hours. Suitable for use in conjunction with a motorized lock.





Part no.: 101 592, 101 627

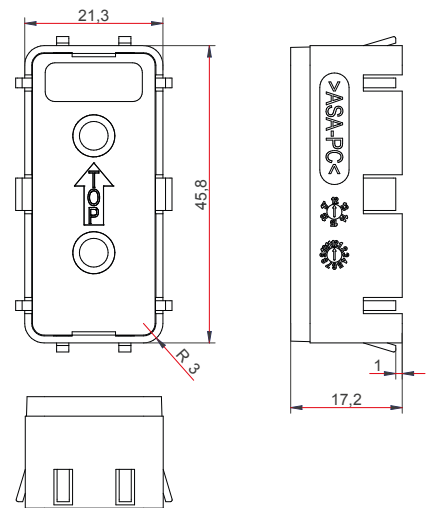
Finger scanner dimensions



Part no.: 101 592

Milling dimensions
+0.5 mm

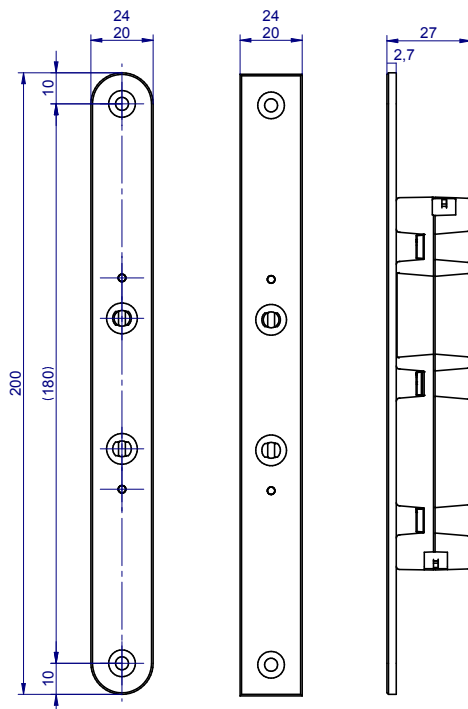
Mounting part dimensions



ekey micro plus

Control panel dimensions

Dimensions in mm



Milling dimensions
+0.5 mm



ekey media center

You can find all the information on our products on our website at www.ekey.net/en/media_center

Operating concepts



ekey operating concepts

It is very important to us that ekey products are always easy and intuitive to use. With this in mind, we have developed a range of operating concepts to suit all sorts of different requirements and applications.



ekey home app

The innovative and convenient solution for ekey finger scanner administration. All functions of the ekey finger scanner access control system can be set in an instant via your smartphone or tablet. You can also use the app to unlock your front door. Available for Apple iOS and Google Android.



ekey administrator finger

The economic entry-level solution. Access rights can be saved directly on the finger scanner with defined administrator fingers.



Austria (headquarters)
ekey biometric systems GmbH
Lunzerstraße 89
A-4030 Linz
P: +43 732 890 500 - 0
E: office@ekey.net

www.ekey.net

